

Our associates will ensure the tool works properly before you leave the store. If you experience issues with the tool while completing your project, simply bring it back to the Tool Rental Center to get a replacement. If you purchase Damage Protection at the time of your rental, you are not responsible for repair costs for tools that break due to normal use.



Coil Dispenser™

Effective 05-01-17

Model CD24
Shown
With Optional
TrimCutter™



CONTENTS

Setup..... pg. 2
Operation..... pg. 2
Using with QuickScore™ pg. 3
Using with TrimCutter™ pg. 3
Parts List..... pg. 4

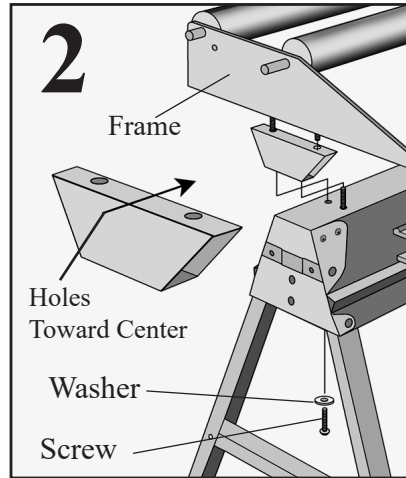
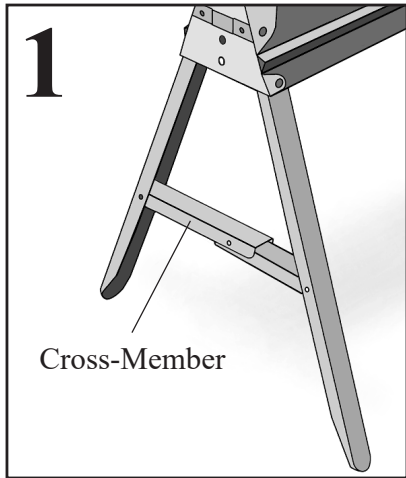
Products and specifications subject to change at any time.



U
S
E
R
'
S
G
U
I
D
E

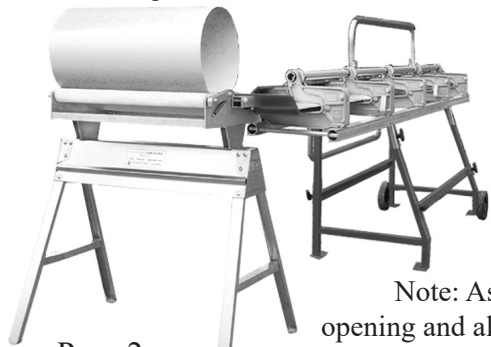
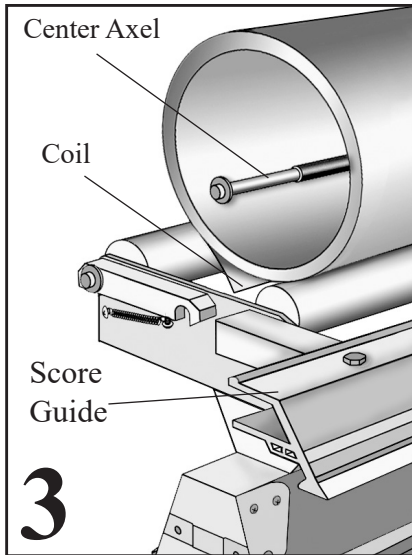
Setup Instructions

- Unpack contents of boxes and lay out for assembly.
- Extend legs from stand and secure in outward position by pushing *down* on cross members (see diagram 1).
- Locate mounting blocks and install to underside of each frame as shown in diagram 2 using screw no. 22 (see parts list). Be sure to note hole alignment which is offset toward center of unit).
- Align remaining holes in bottom of mounting blocks with holes on stand. Insert washer no. 25 on screw no. 22 and install through bottom of stand and into bottom of mounting blocks.



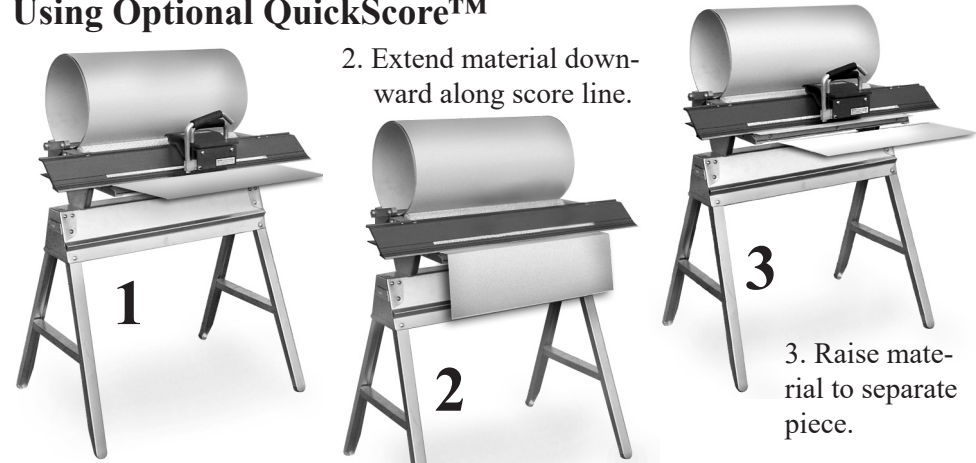
Operation

- Remove center axel and place coil onto bottom rollers. Replace center axel to prevent unraveling (see diagram 3).
- Feed coil between bottom rollers and also between the score guide and scoring bed.
- Place unit approximately 18 inches from brake (see below).
- Pull coil through brake to desired length. Score or cut and separate coil.



Note: As seen to the left, center coil with brake opening and allow material to pass freely through the brake without hitting castings.

Using Optional QuickScore™



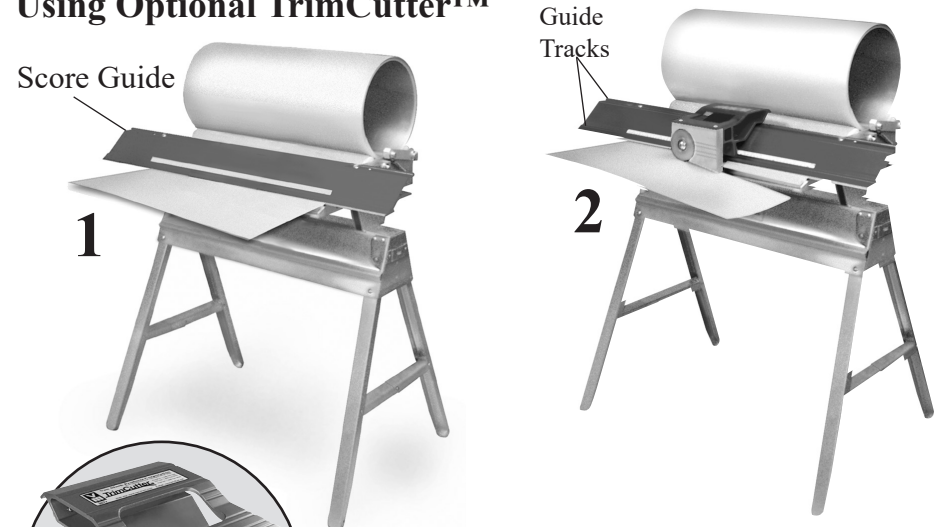
- Raise score guide and extend material through to desired length. Lower score guide against material. Engage blade against material and extend QuickScore™ along entire length of material. Set tool aside.



- Raise material to separate piece.

Note: When using Coil Dispenser™ and QuickScore™ with a brake, allow adequate spacing to flex material along score line.

Using Optional TrimCutter™



- Raise score guide and extend material through to desired length. Lower score guide against material.
- Place TrimCutter™ onto guide tracks. With one constant motion, extend TrimCutter™ along entire width of material until severed from coil. Remove tool when not in use.